

PRODUCT CODE: SAD1/20SD
SPARE DIES

DESCRIPTION

20mm Spare Dies

FINISH

Self Colour

MATERIAL

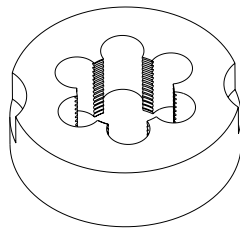
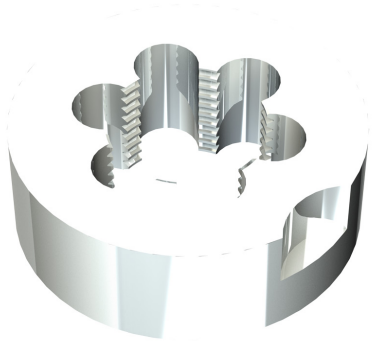
Steel

PACKAGING

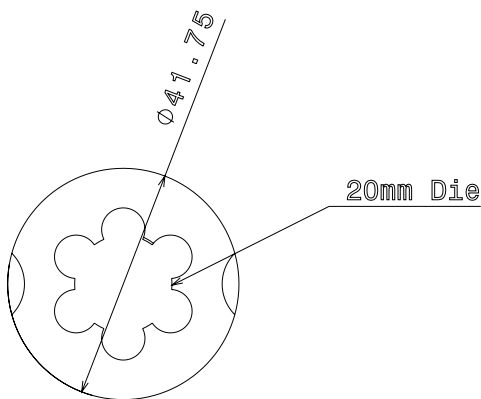
Supplied individually

ADDITIONAL NOTES

20 & 25mm stock and die kit is also available, please see part number SAD1



Isometric view



Top view



Side view